



GEN II Throttle/Display Instructions

v.1.1



- | | |
|---------------------------------|------------------------------------|
| 1. Connection status | 7. Current accumulated riding time |
| 2. SmartBikeWheel battery level | 8. Function "+" button |
| 3. Display battery level | 9. Power and "OK" button |
| 4. Current speed | 10. Function "-" button |
| 5. Assist level | 11. Thumb Throttle |
| 6. Current riding distance | |

3. Gyro calibration:

After connecting successfully with SmartBikeWheel, place the bike on a level surface and hold the bike so it is vertical to the ground. Press the Power button for 3 times continuously to calibrate the gyro.

4. Control function:

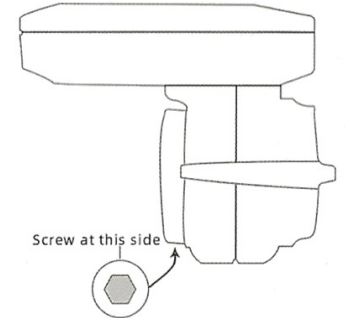
1. Press the "+" button to increase the assist grade.
2. Press the "-" button to decrease the assist grade.
3. Press the "Power" button twice to switch on or off the background light.
4. Use the thumb throttle to temporarily increase the assistance level of the SmartAssist function.

5. Charging the display:

When the display is low on power, connect the USB charging port with the provided USB cable to a standard USB charger (not provided) to charge. The indicator light will be red when charging, and blue when fully charged. The display will switch off automatically while charging.

Installation Instructions

1. Slide the Throttle/Display onto your handlebar.
 2. Determine the best position for easy operation with no interference with brake levers or other accessories.
 3. Tighten the small hex screw below.
- Note: the Throttle/Display can be positioned for left or right hand operation.



Operations guide

1. Switch the display On or Off:

- Step 1 Press the "Power" button to switch on.
Step 2 Press and hold the "Power" button for 1 second to switch off.

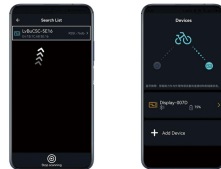
Note: The display will switch off automatically if it is not connected with any SmartBikeWheel for 15 minutes or the SmartBikeWheel that it is connected to stops for more than 10 minutes.

2. Connecting to SmartBikeWheel:

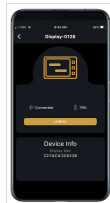
- Step 1 Switch on the display
Step 2 Open the SmartBikeWheel app. If your app is not connected to your SmartBikeWheel, then connect it now.
Step 3 Tap on "Device" at the bottom right of the app's main screen.
Step 4 You will now see the Device page on the app. Tap the "+ Add Device" and it will scan for available devices.



Step 5 Tap the device with an icon like the one displayed in the image below. This will connect the Throttle/Display to the SmartBikeWheel. The app will return to the device page and will show the connection highlighted in blue.



Note: If you need to disconnect the Throttle/Display for any reason, go to the Devices page, click on the device and tap the "UnBind" button.



Specifications

Model	DW03T	Description	Gen II Throttle/Display
Product Size	72*45*65(mm)	Connection	Bluetooth 5.0
Operating Temperature	-10c~85c	Screen size	32*40(mm)
Battery capacity	1200mAh	Throttle type	Thumb throttle
Working hours	100 hours	Standby time	Over 12 months
Charging time	3 hours	Net weight	0.1(Kg)
Installation location	Handlebar	Button type	Physical buttons



- the Smartest way to make your bike electric -

Phone/Text: 415-598-8490
Email: info@SmartBikeWheel.com



GEN II Throttle/Display Instructions v.1.1



- | | |
|---------------------------------|------------------------------------|
| 1. Connection status | 7. Current accumulated riding time |
| 2. SmartBikeWheel battery level | 8. Function "+" button |
| 3. Display battery level | 9. Power and "OK" button |
| 4. Current speed | 10. Function "-" button |
| 5. Assist level | 11. Thumb Throttle |
| 6. Current riding distance | |

3. Gyro calibration:

After connecting successfully with SmartBikeWheel, place the bike on a level surface and hold the bike so it is vertical to the ground. Press the Power button for 3 times continuously to calibrate the gyro.

4. Control function:

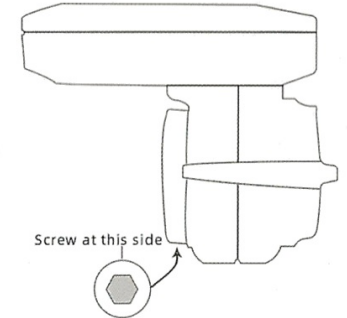
- Press the "+" button to increase the assist grade.
- Press the "-" button to decrease the assist grade.
- Press the "Power" button twice to switch on or off the background light.
- Use the thumb throttle to temporarily increase the assistance level of the SmartAssist function.

5. Charging the display:

When the display is low on power, connect the USB charging port with the provided USB cable to a standard USB charger (not provided) to charge. The indicator light will be red when charging, and blue when fully charged. The display will switch off automatically while charging.

Installation Instructions

- Slide the Throttle/Display onto your handlebar.
 - Determine the best position for easy operation with no interference with brake levers or other accessories.
 - Tighten the small hex screw below.
- Note: the Throttle/Display can be positioned for left or right hand operation.



Operations guide

1. Switch the display On or Off:

- Press the "Power" button to switch on.
- Press and hold the "Power" button for 1 second to switch off.

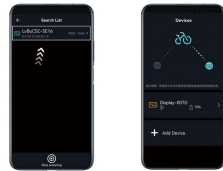
Note: The display will switch off automatically if it is not connected with any SmartBikeWheel for 15 minutes or the SmartBikeWheel that it is connected to stops for more than 10 minutes.

2. Connecting to SmartBikeWheel:

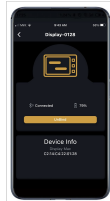
- Switch on the display
- Open the SmartBikeWheel app. If your app is not connected to your SmartBikeWheel, then connect it now.
- Tap on "Device" at the bottom right of the app's main screen.
- You will now see the Device page on the app. Tap the "+ Add Device" and it will scan for available devices.



Step 5 Tap the device with an icon like the one displayed in the image below. This will connect the Throttle/Display to the SmartBikeWheel. The app will return to the device page and will show the connection highlighted in blue.



Note: If you need to disconnect the Throttle/Display for any reason, go to the Devices page, click on the device and tap the "UnBind" button.



Specifications

Model	DW03T	Description	Gen II Throttle/Display
Product Size	72*45*65(mm)	Connection	Bluetooth 5.0
Operating Temperature	-10c~85c	Screen size	32*40(mm)
Battery capacity	1200mAh	Throttle type	Thumb throttle
Working hours	100 hours	Standby time	Over 12 months
Charging time	3 hours	Net weight	0.1(Kg)
Installation location	Handlebar	Button type	Physical buttons



- the Smartest way to make your bike electric -

Phone/Text: 415-598-8490
Email: info@SmartBikeWheel.com